



FAG

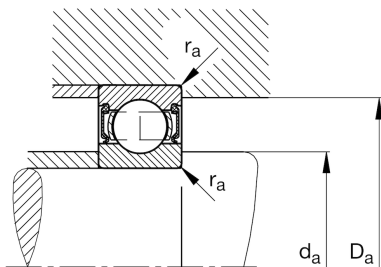
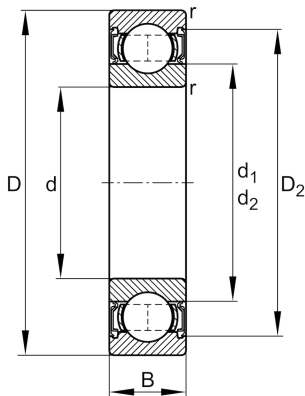
★ 6015-2RSR

Deep groove ball bearing

Schaeffler ID:
0167180890000Deep groove ball bearing 60...-2RSR,
single row, seals, steel sheet metal cage

★ Preferred product

Technical information



Temperature range

T_{\min}	-20 °C	Operating temperature min.
T_{\max}	110 °C	Operating temperature max.
	0,678 kg	Weight

Main Dimensions & Performance Data

d	75 mm	Bore diameter
D	115 mm	Outside diameter
B	20 mm	Width
C_r	42.000 N	Basic dynamic load rating, radial
C_{0r}	33.500 N	Basic static load rating, radial
C_{ur}	2.020 N	Fatigue load limit, radial
n_G	3.050 1/min	Limiting speed

Dimensions

r_{\min}	1,1 mm	Minimum chamfer dimension
D_2	105,3 mm	Caliber diameter outer ring
d_1	88,1 mm	Shoulder diameter inner ring

Mounting dimensions

$d_{a \min}$	81 mm	Minimum diameter shaft shoulder
$D_{a \max}$	109 mm	Maximum diameter of housing shoulder
$r_{a \max}$	1 mm	Maximum fillet radius

Calculation factors

f_0	15,8	Calculation factor
-------	------	--------------------