



FAG

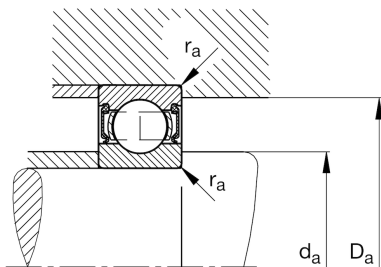
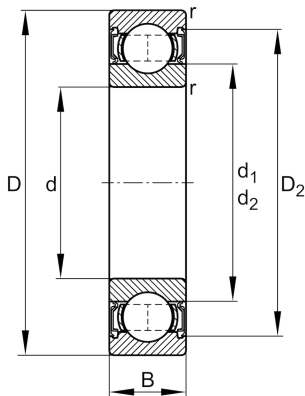
★ 6219-2RSR

Deep groove ball bearing

Schaeffler ID:
0191056730000Deep groove ball bearing 62...-2RSR,
single row, seals, steel sheet metal cage

★ Preferred product

Technical information



Temperature range

T_{\min}	-20 °C	Operating temperature min.
T_{\max}	110 °C	Operating temperature max.
	2,76 kg	Weight

Main Dimensions & Performance Data

d	95 mm	Bore diameter
D	170 mm	Outside diameter
B	32 mm	Width
C_r	116.000 N	Basic dynamic load rating, radial
C_{0r}	82.000 N	Basic static load rating, radial
C_{ur}	4.800 N	Fatigue load limit, radial
n_G	2.260 1/min	Limiting speed

Dimensions

r_{\min}	2,1 mm	Minimum chamfer dimension
D_2	150,9 mm	Caliber diameter outer ring
d_1	118,3 mm	Shoulder diameter inner ring

Mounting dimensions

$d_{a\min}$	107 mm	Minimum diameter shaft shoulder
$D_{a\max}$	158 mm	Maximum diameter of housing shoulder
$r_{a\max}$	2,1 mm	Maximum fillet radius

Calculation factors

f_0	14,5	Calculation factor
-------	------	--------------------