

FAG

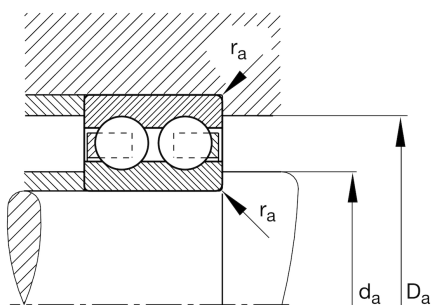
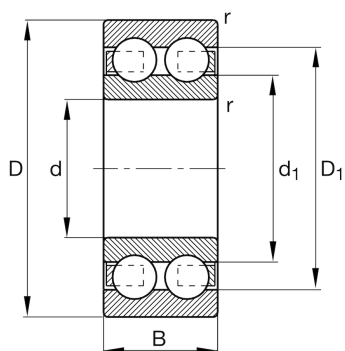
★ 4200-BB-TVH

Deep groove ball bearing

Schaeffler ID:
0219414750000Deep groove ball bearing 42...BB-TVH,
double row, plastic cage

★ Preferred product

Technical information



Temperature range

T_{\min}	-20 °C	Operating temperature min.
T_{\max}	120 °C	Operating temperature max.
	0,051 kg	Weight

Main Dimensions & Performance Data

d	10 mm	Bore diameter
D	30 mm	Outside diameter
B	14 mm	Width
C_r	8.300 N	Basic dynamic load rating, radial
C_{0r}	4.750 N	Basic static load rating, radial
C_{ur}	247 N	Fatigue load limit, radial
n_G	21.800 1/min	Limiting speed
n_{gr}	21.600 1/min	Reference speed

Dimensions

r_{\min}	0,6 mm	Minimum chamfer dimension
D_1	23 mm	Shoulder diameter outer ring
d_1	16,6 mm	Shoulder diameter inner ring

Mounting dimensions

$d_{a\min}$	14,2 mm	Minimum diameter shaft shoulder
$D_{a\max}$	25,8 mm	Maximum diameter of housing shoulder
$r_{a\max}$	0,6 mm	Maximum fillet radius

Calculation factors

f_0	13,1	Calculation factor
-------	------	--------------------