

FAG

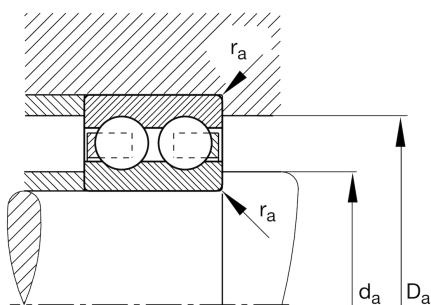
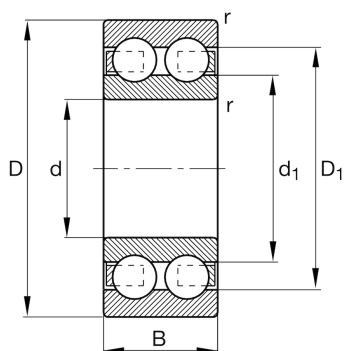
★ 4202-BB-TVH

Deep groove ball bearing

Schaeffler ID:
0219415130000Deep groove ball bearing 42...-BB-TVH,
double row, plastic cage

★ Preferred product

Technical information



Temperature range

T_{\min}	-20 °C	Operating temperature min.
T_{\max}	120 °C	Operating temperature max.
	0,068 kg	Weight

Main Dimensions & Performance Data

d	15 mm	Bore diameter
D	35 mm	Outside diameter
B	14 mm	Width
C_r	12.400 N	Basic dynamic load rating, radial
C_{0r}	7.400 N	Basic static load rating, radial
C_{ur}	385 N	Fatigue load limit, radial
n_G	17.100 1/min	Limiting speed
n_{gr}	16.400 1/min	Reference speed

Dimensions

r_{\min}	0,6 mm	Minimum chamfer dimension
D_1	28,8 mm	Shoulder diameter outer ring
d_1	21,4 mm	Shoulder diameter inner ring

Mounting dimensions

$d_{a\min}$	19,2 mm	Minimum diameter shaft shoulder
$D_{a\max}$	30,8 mm	Maximum diameter of housing shoulder
$r_{a\max}$	0,6 mm	Maximum fillet radius

Calculation factors

f_0	13,1	Calculation factor
-------	------	--------------------