

FAG

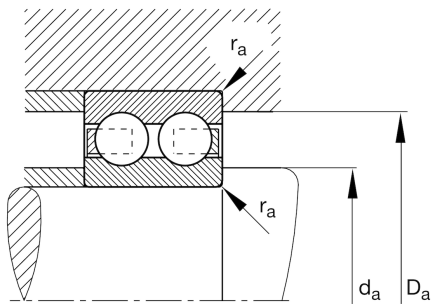
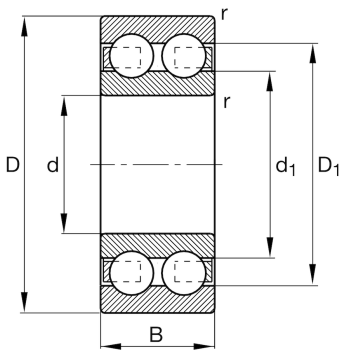
## ★ 4205-BB-TVH

Deep groove ball bearing

Schaeffler ID:  
0219434510000Deep groove ball bearing 42...BB-TVH,  
double row, plastic cage

★ Preferred product

## Technical information



## Temperature range

$T_{min}$	-20 °C	Operating temperature min.
$T_{max}$	120 °C	Operating temperature max.
	0,159 kg	Weight

## Main Dimensions &amp; Performance Data

d	25 mm	Bore diameter
D	52 mm	Outside diameter
B	18 mm	Width
$C_r$	22.900 N	Basic dynamic load rating, radial
$C_{0r}$	15.700 N	Basic static load rating, radial
$C_{ur}$	820 N	Fatigue load limit, radial
$n_G$	11.100 1/min	Limiting speed
$n_{gr}$	11.200 1/min	Reference speed

## Dimensions

$r_{min}$	1 mm	Minimum chamfer dimension
$D_1$	43,6 mm	Shoulder diameter outer ring
$d_1$	33,6 mm	Shoulder diameter inner ring

## Mounting dimensions

$d_{a min}$	30,6 mm	Minimum diameter shaft shoulder
$D_{a max}$	46,4 mm	Maximum diameter of housing shoulder
$r_{a max}$	1 mm	Maximum fillet radius

## Calculation factors

$f_0$	13,8	Calculation factor
-------	------	--------------------