

FAG

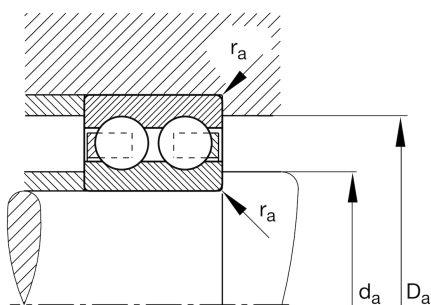
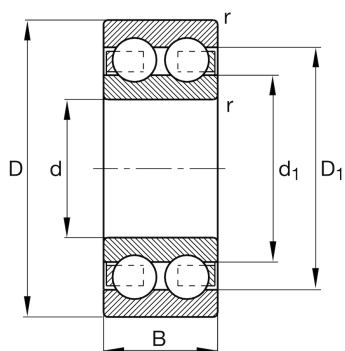
★ 4210-BB-TVH

Deep groove ball bearing

Schaeffler ID:
0219435160000Deep groove ball bearing 42...BB-TVH,
double row, plastic cage

★ Preferred product

Technical information



Temperature range

T_{\min}	-20 °C	Operating temperature min.
T_{\max}	120 °C	Operating temperature max.
	0,58 kg	Weight

Main Dimensions & Performance Data

d	50 mm	Bore diameter
D	90 mm	Outside diameter
B	23 mm	Width
C_r	46.500 N	Basic dynamic load rating, radial
C_{0r}	42.000 N	Basic static load rating, radial
C_{ur}	2.200 N	Fatigue load limit, radial
n_G	6.300 1/min	Limiting speed
n_{gr}	6.300 1/min	Reference speed

Dimensions

r_{\min}	1,1 mm	Minimum chamfer dimension
D_1	76,9 mm	Shoulder diameter outer ring
d_1	62,8 mm	Shoulder diameter inner ring

Mounting dimensions

$d_{a \min}$	57 mm	Minimum diameter shaft shoulder
$D_{a \max}$	83 mm	Maximum diameter of housing shoulder
$r_{a \max}$	1 mm	Maximum fillet radius

Calculation factors

f_0	15,2	Calculation factor
-------	------	--------------------