



FAG

★ S6205-2RSR

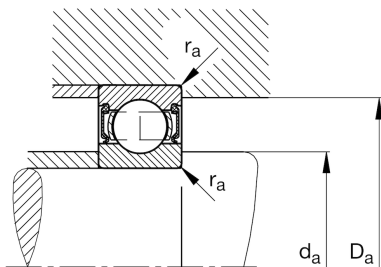
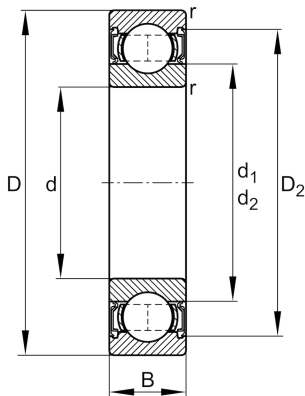
Deep groove ball bearing

Schaeffler ID:
0554287380000

★ Preferred product

Deep groove ball bearing S62...-2RSR,
corrosion-resistant materials, single row,
seals, steel sheet metal cage

Technical information



Temperature range

T_{\min}	-30 °C	Operating temperature min.
T_{\max}	110 °C	Operating temperature max.
	0,128 kg	Weight

Main Dimensions & Performance Data

d	25 mm	Bore diameter
D	52 mm	Outside diameter
B	15 mm	Width
C_r	11.900 N	Basic dynamic load rating, radial
C_{0r}	6.300 N	Basic static load rating, radial
C_{ur}	405 N	Fatigue load limit, radial
n_G	7.900 1/min	Limiting speed

Dimensions

r_{\min}	1 mm	Minimum chamfer dimension
D_2	45,72 mm	Caliber diameter outer ring
d_1	34 mm	Shoulder diameter inner ring

Mounting dimensions

$d_{a\min}$	30,6 mm	Minimum diameter shaft shoulder
$D_{a\max}$	46,4 mm	Maximum diameter of housing shoulder
$r_{a\max}$	1 mm	Maximum fillet radius

Calculation factors

f_0	11,1	Calculation factor
-------	------	--------------------