



FAG

★ S6000-2RSR

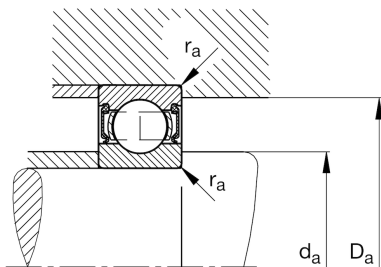
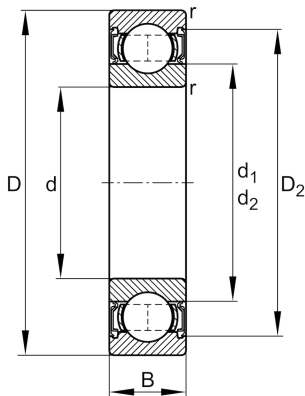
Deep groove ball bearing

Schaeffler ID:
0554293940000

★ Preferred product

Deep groove ball bearing S60...-2RSR,
corrosion-resistant materials, single row,
seals, steel sheet metal cage

Technical information



Temperature range

T_{\min}	-30 °C	Operating temperature min.
T_{\max}	110 °C	Operating temperature max.
	20 g	Weight

Main Dimensions & Performance Data

d	10 mm	Bore diameter
D	26 mm	Outside diameter
B	8 mm	Width
C_r	3.890 N	Basic dynamic load rating, radial
C_{0r}	1.570 N	Basic static load rating, radial
C_{ur}	125 N	Fatigue load limit, radial
n_G	18.400 1/min	Limiting speed

Dimensions

r_{\min}	0,3 mm	Minimum chamfer dimension
D_2	22,38 mm	Caliber diameter outer ring
d_2	13,9 mm	Caliber diameter inner ring

Mounting dimensions

$d_{a\min}$	12 mm	Minimum diameter shaft shoulder
$D_{a\max}$	24 mm	Maximum diameter of housing shoulder
$r_{a\max}$	0,3 mm	Maximum fillet radius

Calculation factors

f_0	9,9	Calculation factor
-------	-----	--------------------