

FAG

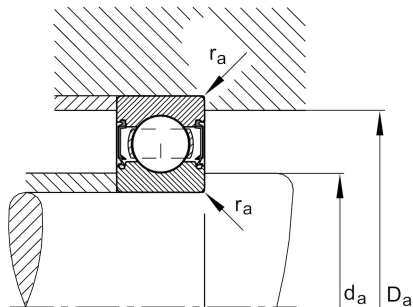
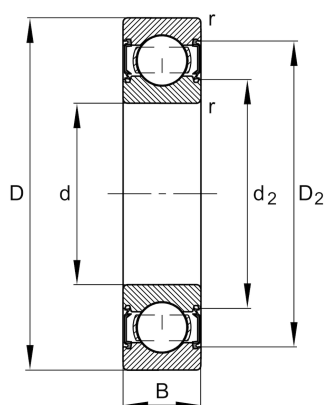
## ★ 6203-C-2HRS

Deep groove ball bearing

Schaeffler ID:  
0592584030000Deep groove ball bearing 62...-C-2HRS,  
single row, Generation C, seals, steel  
sheet metal cage

★ Preferred product

## Technical information



## Temperature range

$T_{\min}$	-20 °C	Operating temperature min.
$T_{\max}$	110 °C	Operating temperature max.
	0,064 kg	Weight

## Main Dimensions &amp; Performance Data

d	17 mm	Bore diameter
D	40 mm	Outside diameter
B	12 mm	Width
$C_r$	11.000 N	Basic dynamic load rating, radial
$C_{0r}$	4.750 N	Basic static load rating, radial
$C_{ur}$	330 N	Fatigue load limit, radial
$n_G$	16.900 1/min	Limiting speed

## Dimensions

$r_{\min}$	0,6 mm	Minimum chamfer dimension
$D_2$	34,8 mm	Caliber diameter outer ring
$d_2$	22,8 mm	Caliber diameter inner ring

## Mounting dimensions

$d_{a\min}$	21,2 mm	Minimum diameter shaft shoulder
$D_{a\max}$	35,8 mm	Maximum diameter of housing shoulder
$r_{a\max}$	0,6 mm	Maximum fillet radius

## Calculation factors

$f_0$	13	Calculation factor
-------	----	--------------------