

FAG

★ 6204-C-2Z

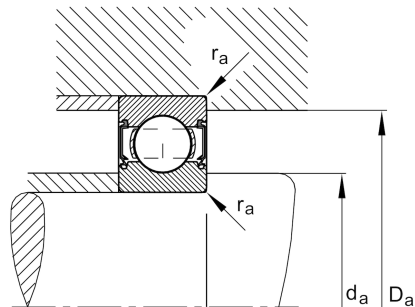
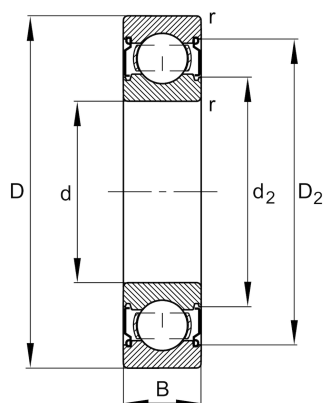
Deep groove ball bearing

Schaeffler ID:
0593721090000

Deep groove ball bearing 62...-C-2Z, single row, Generation C, shields, steel sheet metal cage

★ Preferred product

Technical information



Temperature range

| | | |
|------------|----------|----------------------------|
| T_{\min} | -20 °C | Operating temperature min. |
| T_{\max} | 120 °C | Operating temperature max. |
| | 0,103 kg | Weight |

Main Dimensions & Performance Data

| | | |
|----------|--------------|-----------------------------------|
| d | 20 mm | Bore diameter |
| D | 47 mm | Outside diameter |
| B | 14 mm | Width |
| C_r | 14.700 N | Basic dynamic load rating, radial |
| C_{0r} | 6.600 N | Basic static load rating, radial |
| C_{ur} | 455 N | Fatigue load limit, radial |
| n_G | 20.600 1/min | Limiting speed |
| n_{gr} | 18.100 1/min | Reference speed |

Dimensions

| | | |
|------------|---------|-----------------------------|
| r_{\min} | 1 mm | Minimum chamfer dimension |
| D_2 | 41,4 mm | Caliber diameter outer ring |
| d_2 | 26,6 mm | Caliber diameter inner ring |

Mounting dimensions

| | | |
|-------------|---------|--------------------------------------|
| $d_{a\min}$ | 25,6 mm | Minimum diameter shaft shoulder |
| $D_{a\max}$ | 41,4 mm | Maximum diameter of housing shoulder |
| $r_{a\max}$ | 1 mm | Maximum fillet radius |

Calculation factors

| | | |
|-------|------|--------------------|
| f_0 | 13,1 | Calculation factor |
|-------|------|--------------------|