



FAG

★ 6204-C

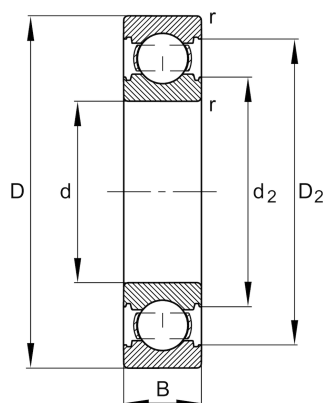
Deep groove ball bearing

Schaeffler ID:
0621631590000

Deep groove ball bearing 62...-C, single row, Generation C, steel sheet metal cage

★ Preferred product

Technical information



Temperature range

T_{\min}	-30 °C	Operating temperature min.
T_{\max}	120 °C	Operating temperature max.
	0,097 kg	Weight

Main Dimensions & Performance Data

d	20 mm	Bore diameter
D	47 mm	Outside diameter
B	14 mm	Width
C_r	14.700 N	Basic dynamic load rating, radial
C_{0r}	6.600 N	Basic static load rating, radial
C_{ur}	455 N	Fatigue load limit, radial
n_G	24.300 1/min	Limiting speed
n_{gr}	18.100 1/min	Reference speed

Dimensions

r_{\min}	1 mm	Minimum chamfer dimension
D_2	41,4 mm	Caliber diameter outer ring
d_2	26,6 mm	Caliber diameter inner ring

Mounting dimensions

$d_{a\min}$	25,6 mm	Minimum diameter shaft shoulder
$D_{a\max}$	41,4 mm	Maximum diameter of housing shoulder
$r_{a\max}$	1 mm	Maximum fillet radius

Calculation factors

f_0	13,1	Calculation factor
-------	------	--------------------

