

FAG

## ★ 3204-BD-XL-2Z-TVH

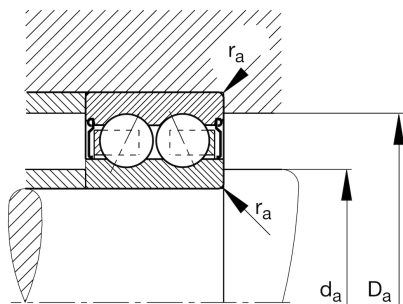
Angular contact ball bearing

Schaeffler ID:  
0625985200000Angular contact ball bearing 32..-BD-  
XL-2Z-TVH, double row, X-life, shields,  
plastic cage

★ Preferred product

X-life

## Technical information



## Temperature range

$T_{\min}$	-20 °C	Operating temperature min.
$T_{\max}$	120 °C	Operating temperature max.
	0,152 kg	Weight

## Main Dimensions &amp; Performance Data

$d$	20 mm	Bore diameter
$D$	47 mm	Outside diameter
$B$	20,6 mm	Width
$C_r$	20.600 N	Basic dynamic load rating, radial
$C_{0r}$	12.900 N	Basic static load rating, radial
$C_{ur}$	900 N	Fatigue load limit, radial
$n_G$	12.100 1/min	Limiting speed
$n_{gr}$	14.700 1/min	Reference speed

## Dimensions

$r_{\min}$	1 mm	Minimum chamfer dimension
$D_2$	42,2 mm	Caliber diameter outer ring
$d_2$	29,2 mm	Caliber diameter inner ring
$a$	27,9 mm	Distance between the apexes of the pressure cones
$\alpha$	30 °	Contact angle

## Mounting dimensions

$d_{a\min}$	25,6 mm	Minimum diameter shaft shoulder
$D_{a\max}$	41,4 mm	Maximum diameter of housing shoulder
$r_{a\max}$	1 mm	Maximum fillet radius