



FAG

## ★ 3205-BD-XL-2Z-TVH

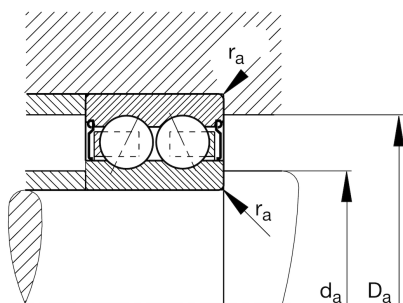
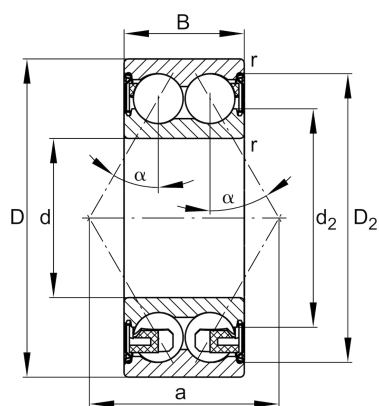
Angular contact ball bearing

Schaeffler ID:  
0636598750000Angular contact ball bearing 32..-BD-  
XL-2Z-TVH, double row, X-life, shields,  
plastic cage

★ Preferred product

X-life

## Technical information



## Temperature range

$T_{\min}$	-20 °C	Operating temperature min.
$T_{\max}$	120 °C	Operating temperature max.
	0,175 kg	Weight

## Main Dimensions &amp; Performance Data

d	25 mm	Bore diameter
D	52 mm	Outside diameter
B	20,6 mm	Width
$C_r$	22.000 N	Basic dynamic load rating, radial
$C_{0r}$	15.200 N	Basic static load rating, radial
$C_{ur}$	1.050 N	Fatigue load limit, radial
$n_G$	10.700 1/min	Limiting speed
$n_{gr}$	12.500 1/min	Reference speed

## Dimensions

$r_{\min}$	1 mm	Minimum chamfer dimension
$D_2$	47,6 mm	Caliber diameter outer ring
$d_2$	34,2 mm	Caliber diameter inner ring
a	30,8 mm	Distance between the apexes of the pressure cones
$\alpha$	30 °	Contact angle

## Mounting dimensions

$d_{a \min}$	30,6 mm	Minimum diameter shaft shoulder
$D_{a \max}$	46,4 mm	Maximum diameter of housing shoulder
$r_{a \max}$	1 mm	Maximum fillet radius