



FAG

★ 3205-BD-XL-TVH

Angular contact ball bearing

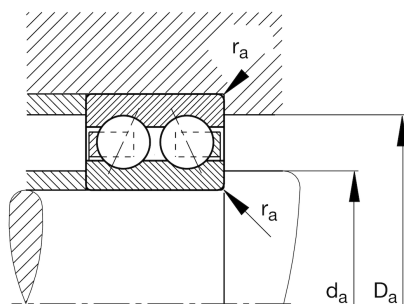
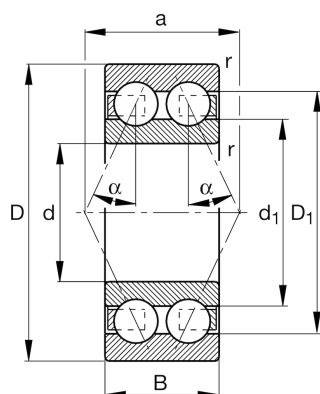
Schaeffler ID:
0636895610000

Angular contact ball bearing 32..-BD-XL-TVH, double row, X-life, plastic cage

★ Preferred product

X-life

Technical information



Temperature range

T_{\min}	-30 °C	Operating temperature min.
T_{\max}	120 °C	Operating temperature max.
	0,17 kg	Weight

Main Dimensions & Performance Data

d	25 mm	Bore diameter
D	52 mm	Outside diameter
B	20,6 mm	Width
C_r	22.000 N	Basic dynamic load rating, radial
C_{0r}	15.200 N	Basic static load rating, radial
C_{ur}	1.050 N	Fatigue load limit, radial
n_G	14.300 1/min	Limiting speed
n_{gr}	12.500 1/min	Reference speed

Dimensions

r_{\min}	1 mm	Minimum chamfer dimension
D_1	45,1 mm	Shoulder diameter outer ring
d_1	35,8 mm	Shoulder diameter inner ring
a	30,8 mm	Distance between the apexes of the pressure cones
α	30 °	Contact angle

Mounting dimensions

$d_{a \min}$	30,6 mm	Minimum diameter shaft shoulder
$D_{a \max}$	46,4 mm	Maximum diameter of housing shoulder
$r_{a \max}$	1 mm	Maximum fillet radius