

FAG

★ 3212-BD-XL-TVH

Angular contact ball bearing

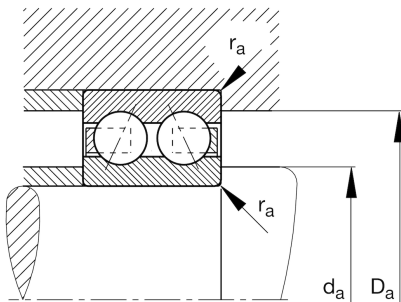
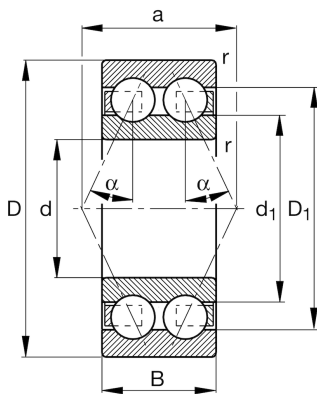
Schaeffler ID:
0637127330000

Angular contact ball bearing 32..-BD-XL-TVH, double row, X-life, plastic cage

★ Preferred product

X-life

Technical information



Temperature range

| | | |
|------------|---------|----------------------------|
| T_{\min} | -30 °C | Operating temperature min. |
| T_{\max} | 120 °C | Operating temperature max. |
| | 1,27 kg | Weight |

Main Dimensions & Performance Data

| | | |
|----------|-------------|-----------------------------------|
| d | 60 mm | Bore diameter |
| D | 110 mm | Outside diameter |
| B | 36,5 mm | Width |
| C_r | 75.000 N | Basic dynamic load rating, radial |
| C_{0r} | 64.000 N | Basic static load rating, radial |
| C_{ur} | 4.400 N | Fatigue load limit, radial |
| n_G | 6.300 1/min | Limiting speed |
| n_{gr} | 6.700 1/min | Reference speed |

Dimensions

| | | |
|------------|---------|---|
| r_{\min} | 1,5 mm | Minimum chamfer dimension |
| D_1 | 97 mm | Shoulder diameter outer ring |
| d_1 | 79 mm | Shoulder diameter inner ring |
| a | 64,7 mm | Distance between the apexes of the pressure cones |
| α | 30 ° | Contact angle |

Mounting dimensions

| | | |
|--------------|--------|--------------------------------------|
| $d_{a \min}$ | 69 mm | Minimum diameter shaft shoulder |
| $D_{a \max}$ | 101 mm | Maximum diameter of housing shoulder |
| $r_{a \max}$ | 1,5 mm | Maximum fillet radius |