



FAG

## ★ F11207

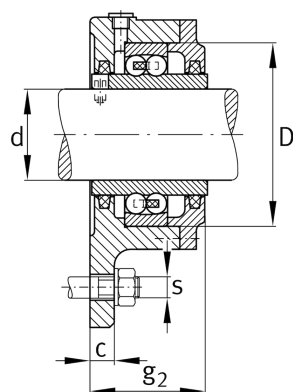
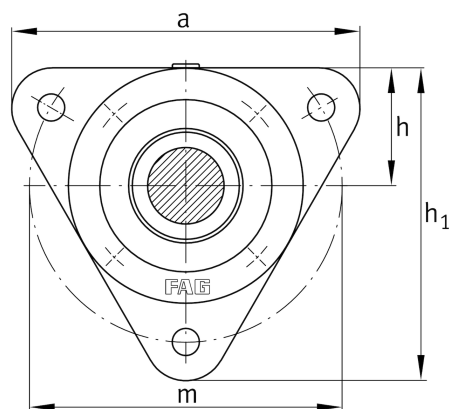
Flanged housing

Schaeffler ID:  
0383828570000

Flanged housing for self-aligning ball bearing 112 with wide inner-ring, felt seal, grease lubrication

★ Preferred product

## Technical information



## Main Dimensions &amp; Performance Data

d	35 mm	Shaft diameter
a	145 mm	Flange width
g <sub>2</sub>	54 mm	Total width with cover
h <sub>1</sub>	129,5 mm	Height flange
	1,75 kg	Weight

## Dimensions

	M10x1 M	Connection thread for lubrication
c	12 mm	Thickness of flange
D	72 mm	Outside diameter bearing
h	48,5 mm	Distance shaft axis
m	130 mm	Pitch circle diameter fixing holes
s	M12 m	Size of fixing screws