

FAG

## ★ F11208

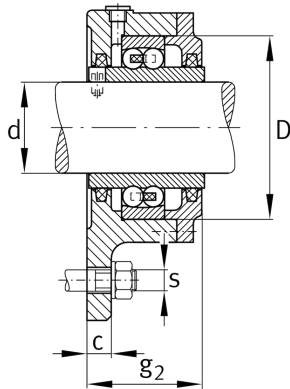
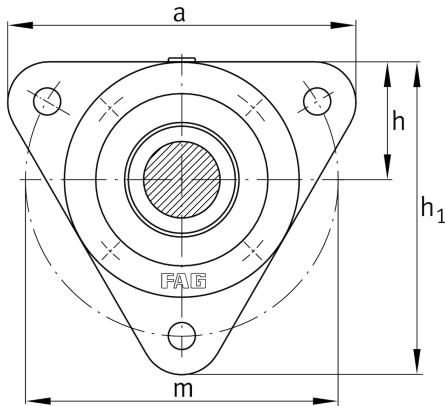
Flanged housing

Schaeffler ID:  
0383828650000

★ Preferred product

Flanged housing for self-aligning ball bearing 112 with wide inner-ring, felt seal, grease lubrication

## Technical information



## Main Dimensions &amp; Performance Data

d	40 mm	Shaft diameter
a	160 mm	Flange width
g <sub>2</sub>	60 mm	Total width with cover
h <sub>1</sub>	143 mm	Height flange
	2,2 kg	Weight

## Dimensions

	M10x1 M	Connection thread for lubrication
c	12 mm	Thickness of flange
D	80 mm	Outside diameter bearing
h	54 mm	Distance shaft axis
m	140 mm	Pitch circle diameter fixing holes
s	M12 m	Size of fixing screws