



FAG

★ F11209

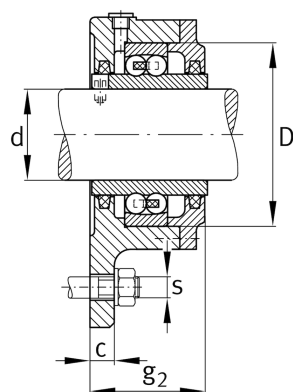
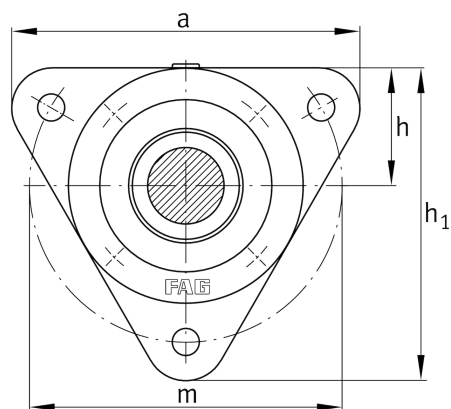
Flanged housing

Schaeffler ID:
0383828730000

Flanged housing for self-aligning ball bearing 112 with wide inner-ring, felt seal, grease lubrication

★ Preferred product

Technical information



Main Dimensions & Performance Data

d	45 mm	Shaft diameter
a	180 mm	Flange width
g ₂	62,5 mm	Total width with cover
h ₁	160 mm	Height flange
	2,964 kg	Weight

Dimensions

	M10x1 M	Connection thread for lubrication
c	15 mm	Thickness of flange
D	85 mm	Outside diameter bearing
h	60 mm	Distance shaft axis
m	160 mm	Pitch circle diameter fixing holes
s	M12 m	Size of fixing screws