


FAG
★ F513-B-L

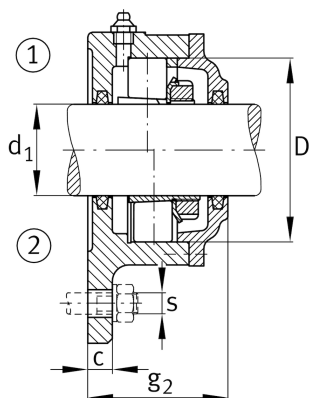
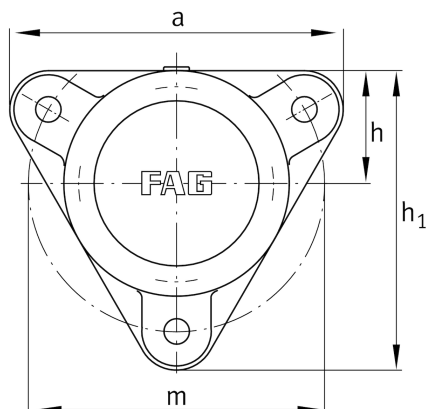
Flanged housing

 Schaeffler ID:
0384387550000

 Flanged housing for various bearing types,
with conical bore and clamping sleeve,
continuous shaft

★ Preferred product

Technical information


Main Dimensions & Performance Data

d_1	60 mm	Shaft diameter
a	219 mm	Flange width
h_1	198 mm	height flange
g_2	79 mm	total width with cover
	3	number of fastening holes
	5,311 kg	Weight

Dimensions

	M10x1	connection thread lubrication
c	16 mm	thickness of flange
D	120 mm	outside diameter bearing
g_4	24 mm	distance flange to bearing seat
h	75 mm	distance shaft axis
m	190 mm	pitch circle diameter fixing holes
s	M12	size of fixing screws