

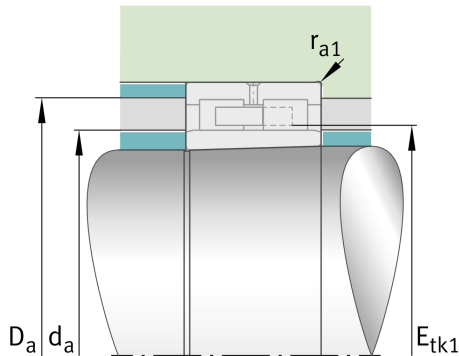
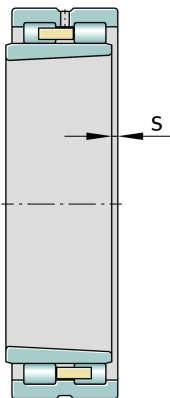
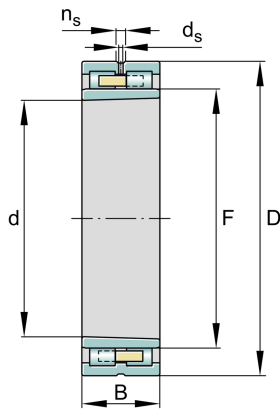
FAG

NNU4938-S-K-M-SP

Cylindrical roller bearing

Schaeffler ID:
0192333450000Super precision cylindrical roller bearings
NNU49...-S-K-M-SP, non-locating bearing,
double row, with tapered bore, taper 1:12,
separable, with cage

Technical information

**Main Dimensions & Performance Data**

d	190 mm	Bore diameter
D	260 mm	Outside diameter
B	69 mm	Width
C_r	410.000 N	Basic dynamic load rating, radial
C_{0r}	880.000 N	Basic static load rating, radial
C_{ur}	106.000 N	Fatigue load limit, radial
$n_{G \text{ Grease}}$	2.900 1/min	Limiting speed for grease lubrication
$n_{G \text{ Oil}}$	3.450 1/min	Limiting speed for oil lubrication
	11,375 kg	Weight

Dimensions

$r_{1 \text{ min}}$	2 mm	Minimum chamfer dimension
F	212 mm	Raceway diameter inner ring
n_s	9,5 mm	Width of lubricating groove
d_s	4,8 mm	Diameter lubrication hole
s	3,2 mm	Axial displacement

Mounting dimensions

$d_{a \text{ min}}$	210,5 mm	Minimum diameter shaft shoulder
$D_{a \text{ max}}$	242 mm	Maximum diameter of housing shoulder
$r_{a1 \text{ max}}$	2 mm	Maximum recess radius

Temperature range

T_{min}	-30 °C	Operating temperature min.
T_{max}	150 °C	Operating temperature max.