

FAG

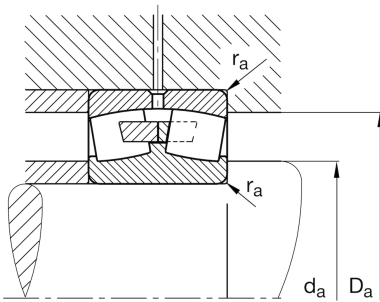
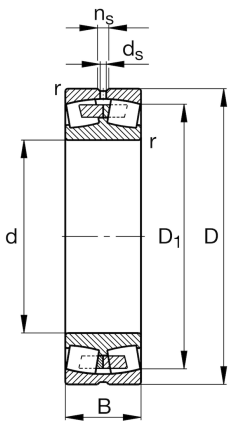
23132-E1A-XL-M

Spherical roller bearing

Schaeffler ID:
0190315560000Spherical roller bearings 231...-E1A, main
dimensions to DIN 635-2

X-life

Technical information

**Main Dimensions & Performance Data**

d	160 mm	Bore diameter
D	270 mm	Outside diameter
B	86 mm	Width
C_r	1.160.000 N	Basic dynamic load rating, radial
C_{0r}	1.550.000 N	Basic static load rating, radial
C_{ur}	166.000 N	Fatigue load limit, radial
n_G	2.490 1/min	Limiting speed
n_{gr}	1.560 1/min	Reference speed
	19,745 kg	Weight

Additional information

r_{min}	2,1 mm	Minimum chamfer dimension
D_1	238,3 mm	Bore diameter outer ring
d_s	8 mm	Diameter lubrication hole
n_s	15 mm	Width of lubricating groove

Mounting dimensions

$d_{a min}$	172 mm	Minimum diameter shaft shoulder
$D_{a max}$	258 mm	Maximum diameter of housing shoulder
$r_{a max}$	2,1 mm	Maximum recess radius

Calculation factors

e	0,29	Limiting value of F_a/F_r for the applicability of diff. Values of factors X and Y
Y_1	2,32	Dynamic axial load factor
Y_2	3,45	Dynamic axial load factor
Y_0	2,26	Static axial load factor

Temperature range

T _{min}	-30 °C	Operating temperature min.
T _{max}	200 °C	Operating temperature max.