

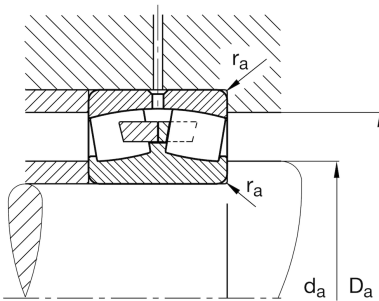
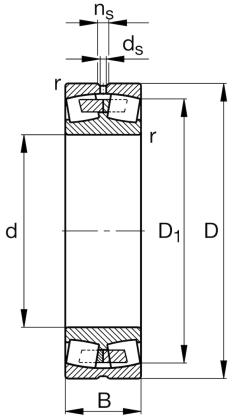
FAG

23956-MB

Spherical roller bearing

Schaeffler ID:
0167090200000Spherical roller bearing 239..-MB,
symmetric 3 ribs

Technical information

**Main Dimensions & Performance Data**

d	280 mm	Bore diameter
D	380 mm	Outside diameter
B	75 mm	Width
C_r	970.000 N	Basic dynamic load rating, radial
C_{0r}	2.040.000 N	Basic static load rating, radial
C_{ur}	133.000 N	Fatigue load limit, radial
n_G	2.000 1/min	Limiting speed
n_{gr}	1.100 1/min	Reference speed
	24,745 kg	Weight

Additional information

r_{min}	2,1 mm	Minimum chamfer dimension
D_1	350 mm	Bore diameter outer ring
d_s	8 mm	Diameter lubrication hole
n_s	15 mm	Width of lubricating groove

Mounting dimensions

$d_{a min}$	290,2 mm	Minimum diameter shaft shoulder
$D_{a max}$	369,8 mm	Maximum diameter of housing shoulder
$r_{a max}$	2,1 mm	Maximum recess radius

Calculation factors

e	0,18	Limiting value of F_a/F_r for the applicability of diff. Values of factors X and Y
Y_1	3,76	Dynamic axial load factor
Y_2	5,59	Dynamic axial load factor
Y_0	3,67	Static axial load factor

Temperature range

T_{min}	-30 °C	Operating temperature min.
T_{max}	200 °C	Operating temperature max.