



FAG

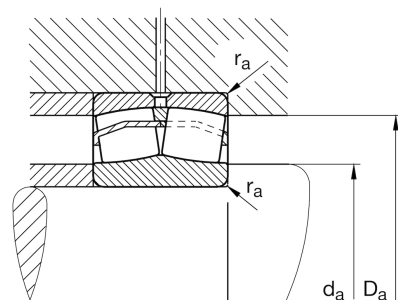
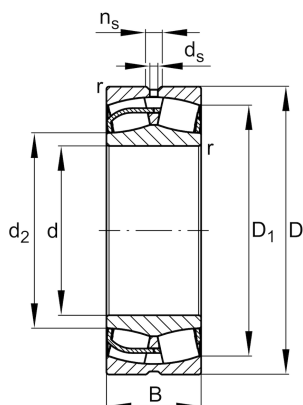
24132-BE-XL

Spherical roller bearing

Schaeffler ID:
0593419200000Spherical roller bearing 241..-BE-XL,
symmetric with rib washer

X-life

Technical information

**Main Dimensions & Performance Data**

d	160 mm	Bore diameter
D	270 mm	Outside diameter
B	109 mm	Width
C _r	1.220.000 N	Basic dynamic load rating, radial
C _{0r}	1.800.000 N	Basic static load rating, radial
C _{ur}	173.000 N	Fatigue load limit, radial
n _G	2.180 1/min	Limiting speed
n _{gr}	1.140 1/min	Reference speed
	25,012 kg	Weight

Additional information

r _{min}	2,1 mm	Minimum chamfer dimension
D ₁	228,9 mm	Bore diameter outer ring
d ₂	183,4 mm	Raceway diameter of the inner ring
d _s	4,8 mm	Diameter lubrication hole
n _s	9,5 mm	Width of lubricating groove

Mounting dimensions

d _{a min}	172 mm	Minimum diameter shaft shoulder
D _{a max}	258 mm	Maximum diameter of housing shoulder
r _{a max}	2,1 mm	Maximum recess radius

Calculation factors

e	0,37	Limiting value of Fa/Fr for the applicability of diff. Values of factors X and Y
Y ₁	1,8	Dynamic axial load factor
Y ₂	2,69	Dynamic axial load factor
Y ₀	1,76	Static axial load factor

Temperature range

T _{min}	-30 °C	Operating temperature min.
T _{max}	200 °C	Operating temperature max.