



FAG

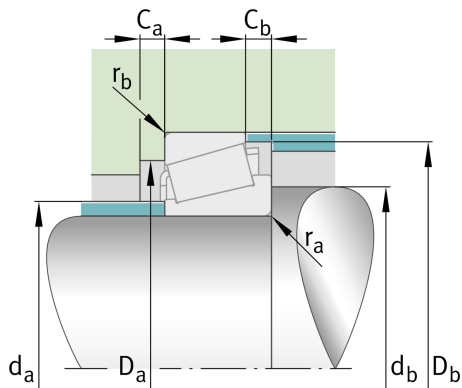
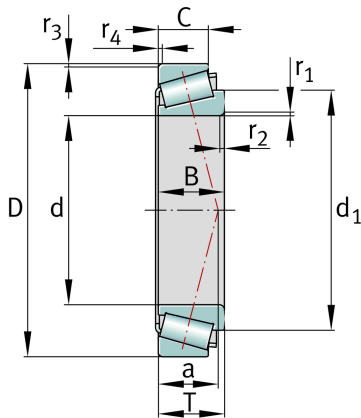
## 32018-X-XL

Tapered roller bearing

Schaeffler ID:  
0838517630000Tapered roller bearings 320, main  
dimensions to DIN ISO 355 / DIN 720,  
separable, adjusted or in pairs

X-life

## Technical information



## Main Dimensions &amp; Performance Data

d	90 mm	Bore diameter
D	140 mm	Outside diameter
B	32 mm	Width, inner ring
C	24 mm	Width, outer ring
T	32 mm	Width, total
$C_r$	195.000 N	Basic dynamic load rating, radial
$C_{0r}$	255.000 N	Basic static load rating, radial
$C_{ur}$	41.000 N	Fatigue load limit, radial
$n_G$	5.400 1/min	Limiting speed
$n_{gr}$	3.200 1/min	Thermal speed rating
	1,774 kg	Weight

## Dimensions

	T3CC090	Comparative designation to ISO 10317 and ISO 355
$r_{1,2 \text{ min}}$	2 mm	Minimum chamfer dimension of inner ring back face
$r_{3,4 \text{ min}}$	1,5 mm	Minimum chamfer dimension of outer ring back face
a	30 mm	Distance between the apexes of the pressure cones
$d_1$	115,8 mm	Guidance rib diameter of inner ring

**Mounting dimensions**

$d_{a \max}$	100 mm	Maximum diameter of shaft shoulder
$d_{b \min}$	99 mm	Minimum diameter of shaft shoulder
$D_{a \min}$	125 mm	Minimum diameter of housing shoulder
$D_{a \max}$	131 mm	Maximum diameter of housing shoulder
$D_{b \min}$	134 mm	Minimum diameter of housing shoulder
$C_{a \min}$	6 mm	Minimum axial space
$C_{b \min}$	8 mm	Minimum axial space
$r_{a \max}$	2 mm	Maximum fillet radius of shaft
$r_{b \max}$	1,5 mm	Maximum fillet radius of housing

**Calculation factors**

e	0,42	Limiting value of $F_a/F_r$ for the applicability of diff. Values of factors X and Y
Y	1,42	Dynamic axial load factor
$Y_0$	0,78	Static axial load factor

**Temperature range**

$T_{\min}$	-30 °C	Operating temperature min.
$T_{\max}$	120 °C	Operating temperature max.