

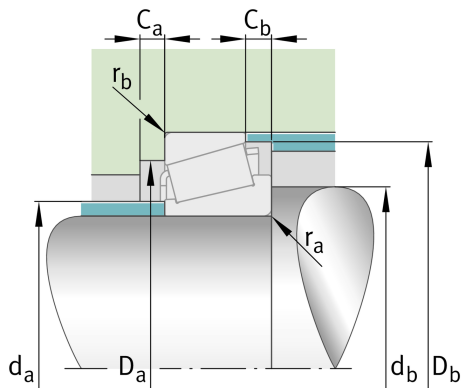
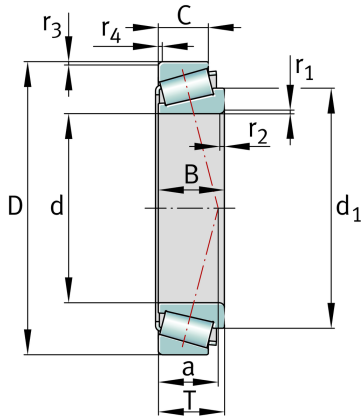
FAG

KHM215249-HM215210

Tapered roller bearing

Schaeffler ID:
0192016800000Tapered roller bearing K-SERIES, single
row

Technical information

**Main Dimensions & Performance Data**

d	75,987 mm	Bore diameter
D	131,975 mm	Outside diameter
B	39 mm	Width, inner ring
C	32 mm	Width, outer ring
T	39 mm	Width, total
C_r	206.000 N	Basic dynamic load rating, radial
C_{0r}	295.000 N	Basic static load rating, radial
C_{ur}	37.500 N	Fatigue load limit, radial
n_G	5.200 1/min	Limiting speed
	2,26 kg	Weight

Dimensions

$r_{1,2 \text{ min}}$	7,1 mm	Minimum chamfer dimension of inner ring back face
$r_{3,4 \text{ min}}$	3,6 mm	Minimum chamfer dimension of outer ring back face
a	30 mm	Distance between the apexes of the pressure cones
d_1	103,2 mm	Guidance rib diameter of inner ring

Mounting dimensions

$d_{a \text{ max}}$	85 mm	Maximum diameter of shaft shoulder
$d_{b \text{ min}}$	98 mm	Minimum diameter of shaft shoulder
$D_{a \text{ min}}$	118 mm	Minimum diameter of housing shoulder
$D_{b \text{ min}}$	126 mm	Minimum diameter of housing shoulder
$C_{a \text{ min}}$	7 mm	Minimum axial space
$C_{b \text{ min}}$	7 mm	Minimum axial space
$r_{a \text{ max}}$	7,1 mm	Maximum fillet radius of shaft
$r_{b \text{ max}}$	3,6 mm	Maximum fillet radius of housing

Calculation factors

e	0,33	Limiting value of Fa/Fr for the applicability of diff. Values of factors X and Y
Y	1,8	Dynamic axial load factor
Y ₀	0,99	Static axial load factor

Temperature range

T _{min}	-30 °C	Operating temperature min.
T _{max}	120 °C	Operating temperature max.