



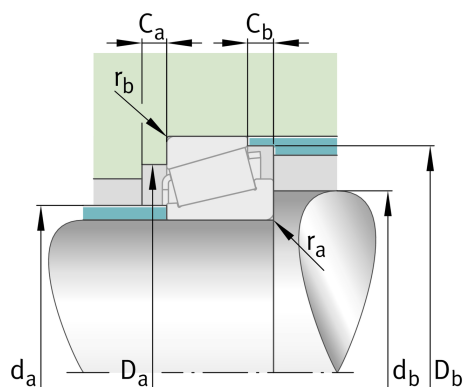
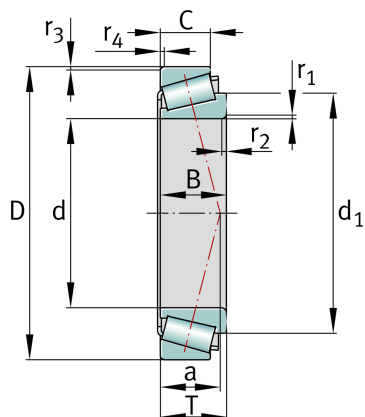
FAG

KHM218248-HM218210

Tapered roller bearing

Schaeffler ID:
0167316620000Tapered roller bearing K-SERIES, single
row

Technical information



Main Dimensions & Performance Data

d	89,975 mm	Bore diameter
D	146,975 mm	Outside diameter
B	40 mm	Width, inner ring
C	32,5 mm	Width, outer ring
T	40 mm	Width, total
C_r	233.000 N	Basic dynamic load rating, radial
C_{0r}	355.000 N	Basic static load rating, radial
C_{ur}	44.000 N	Fatigue load limit, radial
n_G	4.600 1/min	Limiting speed
	2,57 kg	Weight

Dimensions

$r_{1,2 \text{ min}}$	7,1 mm	Minimum chamfer dimension of inner ring back face
$r_{3,4 \text{ min}}$	3,6 mm	Minimum chamfer dimension of outer ring back face
a	31 mm	Distance between the apices of the pressure cones
d_1	119 mm	Guidance rib diameter of inner ring

Mounting dimensions

$d_{a \text{ max}}$	99 mm	Maximum diameter of shaft shoulder
$d_{b \text{ min}}$	104 mm	Minimum diameter of shaft shoulder
$D_{a \text{ min}}$	130 mm	Minimum diameter of housing shoulder
$D_{a \text{ max}}$	136 mm	Maximum diameter of housing shoulder
$D_{b \text{ min}}$	140 mm	Minimum diameter of housing shoulder
$C_{a \text{ min}}$	7 mm	Minimum axial space
$C_{b \text{ min}}$	7 mm	Minimum axial space
$r_{a \text{ max}}$	7,1 mm	Maximum fillet radius of shaft
$r_{b \text{ max}}$	3,6 mm	Maximum fillet radius of housing

Calculation factors

e	0,33	Limiting value of Fa/Fr for the applicability of diff. Values of factors X and Y
Y	1,8	Dynamic axial load factor
Y ₀	0,99	Static axial load factor

Temperature range

T _{min}	-30 °C	Operating temperature min.
T _{max}	120 °C	Operating temperature max.