

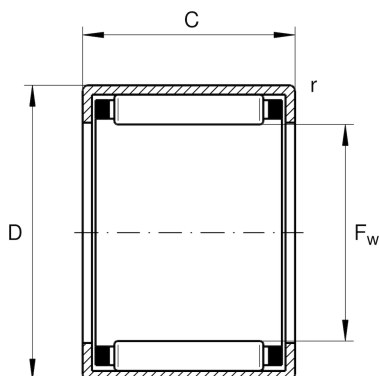
HK5020

Drawn cup needle roller bearing open end

Schaeffler ID:
0001936580000

Drawn cup needle roller bearing open end
HK, single row, with cage

Technical information



Main Dimensions & Performance Data

F_w	50 mm	Under roller diameter
D	58 mm	Outside diameter
C	20 mm	Width
C_r	31.000 N	Basic dynamic load rating, radial
C_{0r}	63.000 N	Basic static load rating, radial
C_{ur}	8.400 N	Fatigue load limit, radial
n_G	5.300 1/min	Limiting speed
$n_{G \text{ Grease}}$	3.150 1/min	Limiting speed for grease lubrication
n_{gr}	4.050 1/min	Reference speed
	68,5 g	Weight

Dimensions

	SD50X58X4	Sealing ring
C_1	20 mm	Width, outer ring
r_{min}	0,8 mm	Minimum chamfer dimension
	G50X58X4	Sealing ring 2
	LR45X50X20,5	Suitable inner rings LR

Temperature range

T_{min}	-30 °C	Operating temperature min.
T_{max}	140 °C	Operating temperature max.