

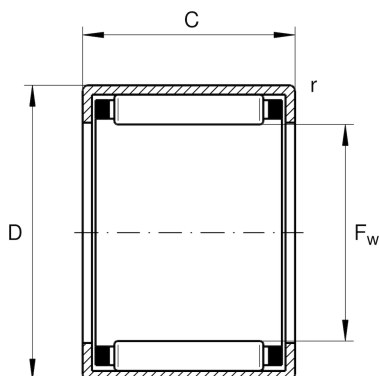
HK5528

Drawn cup needle roller bearing open end

Schaeffler ID:
0000514700000

Drawn cup needle roller bearing open end
HK, single row, with cage

Technical information



Main Dimensions & Performance Data

F_w	55 mm	Under roller diameter
D	63 mm	Outside diameter
C	28 mm	Width
C_r	44.000 N	Basic dynamic load rating, radial
C_{0r}	103.000 N	Basic static load rating, radial
C_{ur}	14.900 N	Fatigue load limit, radial
n_G	4.850 1/min	Limiting speed
$n_{G \text{ Grease}}$	2.900 1/min	Limiting speed for grease lubrication
n_{gr}	3.700 1/min	Reference speed
	0,001 kg	Weight

Dimensions

	SD55X63X5	Sealing ring
C_1	28 mm	Width, outer ring
r_{min}	0,8 mm	Minimum chamfer dimension
	G55X63X5	Sealing ring 2

Temperature range

T_{min}	-30 °C	Operating temperature min.
T_{max}	140 °C	Operating temperature max.