

★ NA4901-2RSR-XL

Needle roller bearing

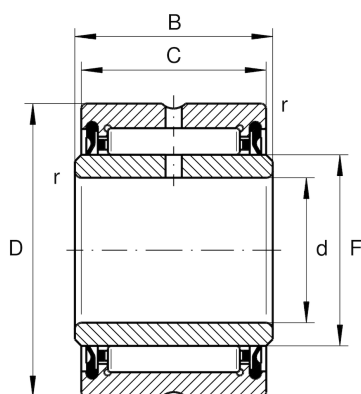
Schaeffler ID:
0507751540000

Needle roller bearings NA49...2RSR,
dimension series 49, lip seals on both
sides

★ Preferred product

X-life

Technical information



Temperature range

T_{\min}	-20 °C	Operating temperature min.
T_{\max}	100 °C	Operating temperature max.
	27,3 g	Weight

Main Dimensions & Performance Data

d	12 mm	Bore diameter
D	24 mm	Outside diameter
B	14 mm	Width, inner ring
C_r	8.600 N	Basic dynamic load rating, radial
C_{0r}	8.300 N	Basic static load rating, radial
C_{ur}	1.660 N	Fatigue load limit, radial
$n_{G \text{ Grease}}$	13.900 1/min	Limiting speed for grease lubrication

Dimensions

F	16 mm	Raceway diameter inner ring
C	13 mm	Width, outer ring
r_{\min}	0,3 mm	Minimum chamfer dimension