

★ NA4902-2RSR-XL

Needle roller bearing

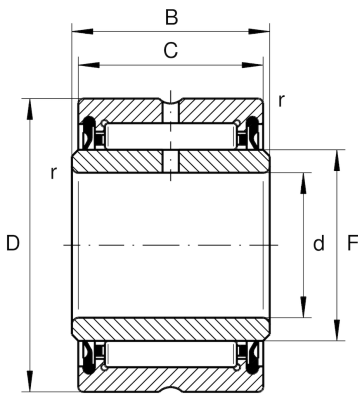
Schaeffler ID:
0507751620000

Needle roller bearings NA49...-2RSR,
dimension series 49, lip seals on both
sides

★ Preferred product

X-life

Technical information



Temperature range

T_{\min}	-20 °C	Operating temperature min.
T_{\max}	100 °C	Operating temperature max.
	0,021 kg	Weight

Main Dimensions & Performance Data

d	15 mm	Bore diameter
D	28 mm	Outside diameter
B	14 mm	Width, inner ring
C_r	9.700 N	Basic dynamic load rating, radial
C_{0r}	10.300 N	Basic static load rating, radial
C_{ur}	2.070 N	Fatigue load limit, radial
$n_{G \text{ Grease}}$	12.600 1/min	Limiting speed for grease lubrication

Dimensions

F	20 mm	Raceway diameter inner ring
C	13 mm	Width, outer ring
r_{\min}	0,3 mm	Minimum chamfer dimension