

## NA4900-RSR-XL

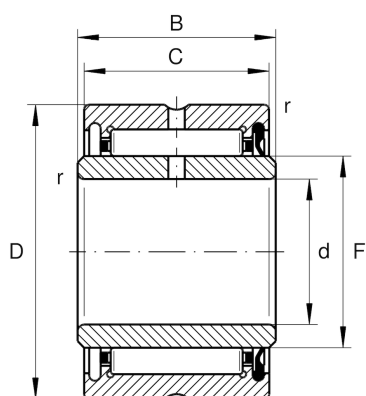
Needle roller bearing

Schaeffler ID:  
0507734960000

Needle roller bearings NA49..-RSR,  
dimension series 49, lip seal on one side

X-life

### Technical information



#### Main Dimensions & Performance Data

|                        |              |                                       |
|------------------------|--------------|---------------------------------------|
| d                      | 10 mm        | Bore diameter                         |
| D                      | 22 mm        | Outside diameter                      |
| B                      | 14 mm        | Width, inner ring                     |
| $C_r$                  | 7.700 N      | Basic dynamic load rating, radial     |
| $C_{0r}$               | 6.900 N      | Basic static load rating, radial      |
| $C_{ur}$               | 1.390 N      | Fatigue load limit, radial            |
| $n_{G \text{ Grease}}$ | 14.800 1/min | Limiting speed for grease lubrication |
|                        | 23,52 g      | Weight                                |

#### Dimensions

|            |        |                             |
|------------|--------|-----------------------------|
| F          | 14 mm  | Raceway diameter inner ring |
| C          | 13 mm  | Width, outer ring           |
| $r_{\min}$ | 0,3 mm | Minimum chamfer dimension   |

#### Temperature range

|            |        |                            |
|------------|--------|----------------------------|
| $T_{\min}$ | -20 °C | Operating temperature min. |
| $T_{\max}$ | 100 °C | Operating temperature max. |