

**NA69/22-XL**

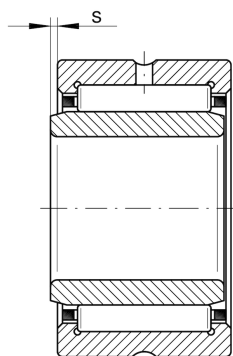
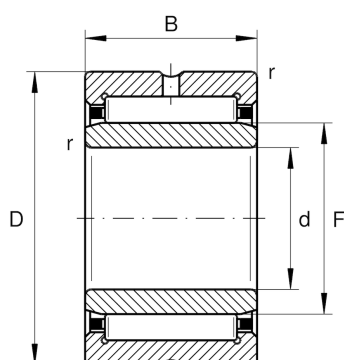
Radial roller bearing

Schaeffler ID:  
0507443300000

Radial roller bearing NA..-XL

X-life

## Technical information

**Main Dimensions & Performance Data**

d	22 mm	Bore diameter
D	39 mm	Outside diameter
B	30 mm	Width
$C_r$	42.000 N	Basic dynamic load rating, radial
$C_{0r}$	55.000 N	Basic static load rating, radial
$C_{ur}$	10.000 N	Fatigue load limit, radial
$n_G$	15.300 1/min	Limiting speed
$n_{G \text{ Grease}}$	9.200 1/min	Limiting speed for grease lubrication
$n_{gr}$	7.900 1/min	Reference speed
	0,001 kg	Weight

**Dimensions**

$r_{\min}$	0,3 mm	Minimum chamfer dimension
F	28 mm	Raceway diameter inner ring
s	0,5 mm	Axial displacement

**Temperature range**

$T_{\min}$	-30 °C	Operating temperature min.
$T_{\max}$	120 °C	Operating temperature max.