

**NA69/28-XL**

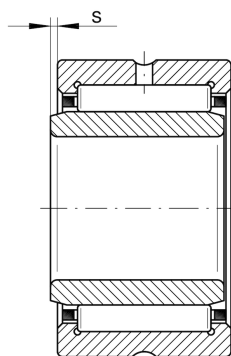
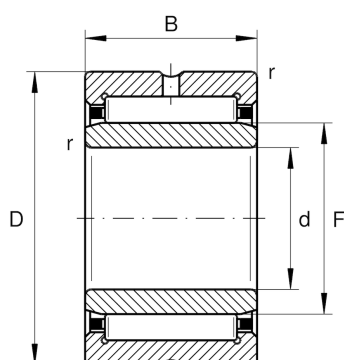
Radial roller bearing

Schaeffler ID:  
0507443480000

Radial roller bearing NA..-XL

X-life

## Technical information

**Main Dimensions & Performance Data**

d	28 mm	Bore diameter
D	45 mm	Outside diameter
B	30 mm	Width
$C_r$	45.500 N	Basic dynamic load rating, radial
$C_{0r}$	63.000 N	Basic static load rating, radial
$C_{ur}$	11.600 N	Fatigue load limit, radial
$n_G$	13.600 1/min	Limiting speed
$n_{G \text{ Grease}}$	8.200 1/min	Limiting speed for grease lubrication
$n_{gr}$	7.100 1/min	Reference speed
	0,002 kg	Weight

**Dimensions**

$r_{\min}$	0,3 mm	Minimum chamfer dimension
F	32 mm	Raceway diameter inner ring
s	1 mm	Axial displacement

**Temperature range**

$T_{\min}$	-30 °C	Operating temperature min.
$T_{\max}$	120 °C	Operating temperature max.