

★ NA69/32-ZW-XL

Needle roller bearing

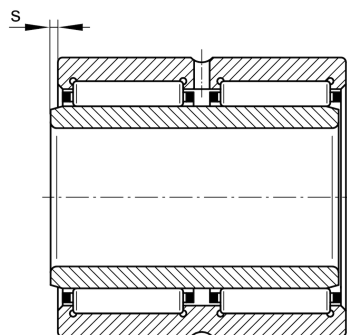
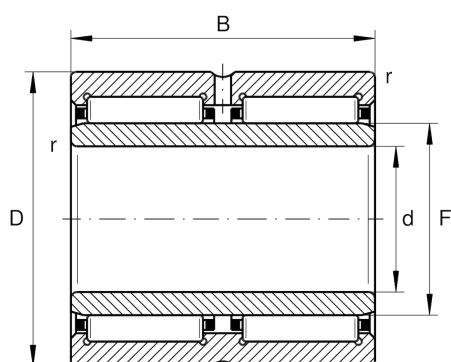
Schaeffler ID:
0507443560000

Needle roller bearings NA69...ZW,
Dimension series 69, double row

★ Preferred product

X-life

Technical information



Temperature range

T_{\min}	-30 °C	Operating temperature min.
T_{\max}	120 °C	Operating temperature max.
	0,289 kg	Weight

Main Dimensions & Performance Data

d	32 mm	Bore diameter
D	52 mm	Outside diameter
B	36 mm	Width
C_r	53.000 N	Basic dynamic load rating, radial
C_{0r}	82.000 N	Basic static load rating, radial
C_{ur}	15.400 N	Fatigue load limit, radial
n_G	11.100 1/min	Limiting speed
n_{gr}	6.100 1/min	Reference speed

Dimensions

F	40 mm	Raceway diameter inner ring
r_{\min}	0,6 mm	Minimum chamfer dimension
s	0,5 mm	Axial displacement