

★ NA6909-ZW-XL

Needle roller bearing

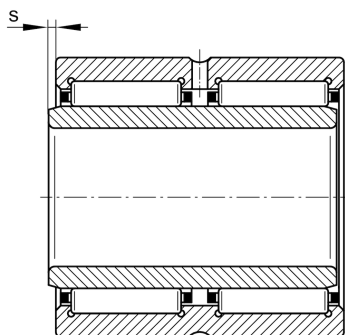
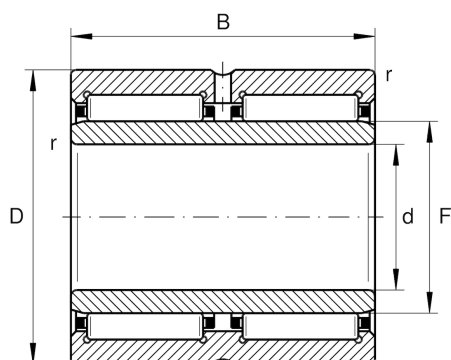
Schaeffler ID:
0507442160000

Needle roller bearings NA69...ZW,
Dimension series 69, double row

★ Preferred product

X-life

Technical information



Temperature range

T_{\min}	-30 °C	Operating temperature min.
T_{\max}	120 °C	Operating temperature max.
	0,005 kg	Weight

Main Dimensions & Performance Data

d	45 mm	Bore diameter
D	68 mm	Outside diameter
B	40 mm	Width
C_r	79.000 N	Basic dynamic load rating, radial
C_{0r}	127.000 N	Basic static load rating, radial
C_{ur}	21.800 N	Fatigue load limit, radial
n_G	8.600 1/min	Limiting speed
n_{gr}	4.750 1/min	Reference speed

Dimensions

F	52 mm	Raceway diameter inner ring
r_{\min}	0,6 mm	Minimum chamfer dimension
s	0,5 mm	Axial displacement