

## ★ NK10/16-TV-XL

Needle roller bearing

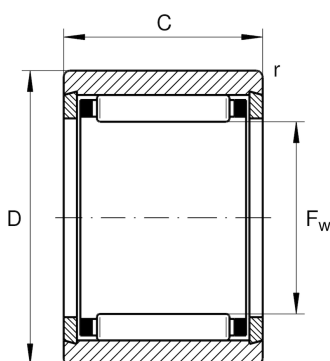
Schaeffler ID:  
0507464990000

Needle roller bearings NK, light series

★ Preferred product

X-life

### Technical information



#### Temperature range

$T_{\min}$	-20 °C	Operating temperature min.
$T_{\max}$	120 °C	Operating temperature max.
	13,6 g	Weight

#### Main Dimensions & Performance Data

$F_w$	10 mm	Under roller diameter
$D$	17 mm	Outside diameter
$C$	16 mm	Width, outer ring
$C_r$	7.000 N	Basic dynamic load rating, radial
$C_{0r}$	7.800 N	Basic static load rating, radial
$C_{ur}$	1.330 N	Fatigue load limit, radial
$n_G$	29.500 1/min	Limiting speed
$n_{gr}$	28.500 1/min	Reference speed

#### Dimensions

$r_{\min}$	0,3 mm	Minimum chamfer dimension
------------	--------	---------------------------

#### Additional information

G10X17X3	Sealing ring
SD10X17X3	Sealing ring 2