

★ NK8/16-TV-XL

Needle roller bearing

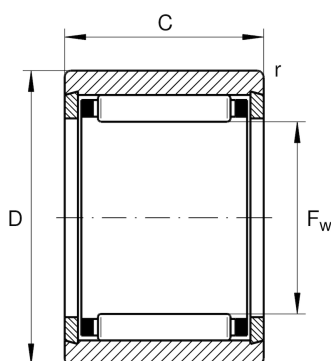
Schaeffler ID:
0507532660000

Needle roller bearings NK, light series

★ Preferred product

X-life

Technical information



Temperature range

T_{min}	-20 °C	Operating temperature min.
T_{max}	120 °C	Operating temperature max.
	11,7 g	Weight

Main Dimensions & Performance Data

F_w	8 mm	Under roller diameter
D	15 mm	Outside diameter
C	16 mm	Width, outer ring
C_r	5.800 N	Basic dynamic load rating, radial
C_{0r}	5.800 N	Basic static load rating, radial
C_{ur}	990 N	Fatigue load limit, radial
n_G	32.500 1/min	Limiting speed
n_{gr}	36.500 1/min	Reference speed

Dimensions

r_{min}	0,3 mm	Minimum chamfer dimension
-----------	--------	---------------------------

Additional information

G8X15X3	Sealing ring
SD8X15X3	Sealing ring 2