



★ NKI42/30-XL

Needle roller bearing

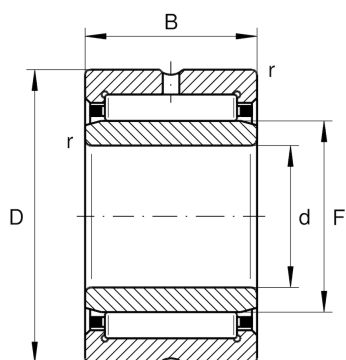
Schaeffler ID:
0507623030000

Needle roller bearings NKI, light series

★ Preferred product

X-life

Technical information



Temperature range

T_{\min}	-30 °C	Operating temperature min.
T_{\max}	120 °C	Operating temperature max.
	0,002 kg	Weight

Main Dimensions & Performance Data

d	42 mm	Bore diameter
D	57 mm	Outside diameter
B	30 mm	Width
C_r	48.500 N	Basic dynamic load rating, radial
C_{0r}	94.000 N	Basic static load rating, radial
C_{ur}	17.800 N	Fatigue load limit, radial
n_G	9.800 1/min	Limiting speed
n_{gr}	5.400 1/min	Reference speed

Dimensions

F	47 mm	Raceway diameter inner ring
r_{\min}	0,3 mm	Minimum chamfer dimension
s	1 mm	Axial displacement