



★ NKI70/35-XL

Needle roller bearing

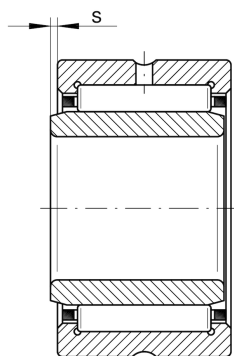
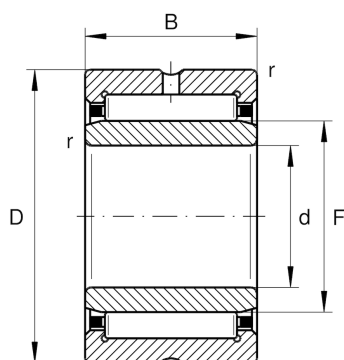
Schaeffler ID:
0507627960000

Needle roller bearings NKI, light series

★ Preferred product

X-life

Technical information



Temperature range

T_{\min}	-30 °C	Operating temperature min.
T_{\max}	120 °C	Operating temperature max.
	0,707 kg	Weight

Main Dimensions & Performance Data

d	70 mm	Bore diameter
D	95 mm	Outside diameter
B	35 mm	Width
C_r	89.000 N	Basic dynamic load rating, radial
C_{0r}	184.000 N	Basic static load rating, radial
C_{ur}	33.000 N	Fatigue load limit, radial
n_G	5.800 1/min	Limiting speed
n_{gr}	3.350 1/min	Reference speed

Dimensions

F	80 mm	Raceway diameter inner ring
r_{\min}	1 mm	Minimum chamfer dimension
s	0,8 mm	Axial displacement