**NKI95/26-XL**

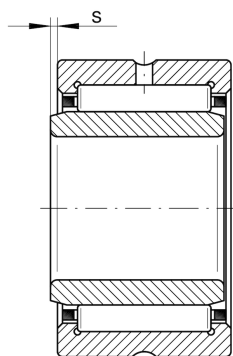
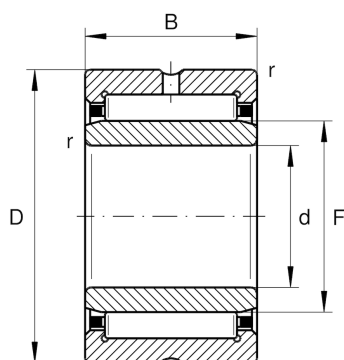
Needle roller bearing

Schaeffler ID:  
0507629230000

Needle roller bearings NKI, light series

X-life

## Technical information

**Main Dimensions & Performance Data**

d	95 mm	Bore diameter
D	125 mm	Outside diameter
B	26 mm	Width
$C_r$	89.000 N	Basic dynamic load rating, radial
$C_{0r}$	155.000 N	Basic static load rating, radial
$C_{ur}$	27.000 N	Fatigue load limit, radial
$n_G$	4.400 1/min	Limiting speed
$n_{gr}$	2.850 1/min	Reference speed
	0,809 kg	Weight

**Dimensions**

F	105 mm	Raceway diameter inner ring
$r_{min}$	1 mm	Minimum chamfer dimension
s	1,5 mm	Axial displacement

**Temperature range**

$T_{min}$	-30 °C	Operating temperature min.
$T_{max}$	120 °C	Operating temperature max.