

NKIS17-XL

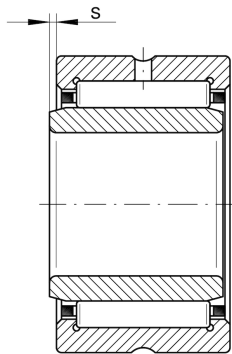
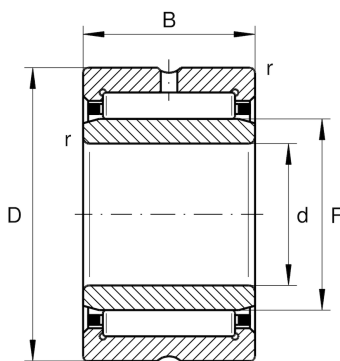
Radial roller bearing

Schaeffler ID:
0507709500000

Needle roller bearings NKIS, heavy series

X-life

Technical information



Temperature range

T_{\min}	-30 °C	Operating temperature min.
T_{\max}	120 °C	Operating temperature max.
	98 g	Weight

Main Dimensions & Performance Data

d	17 mm	Bore diameter
D	37 mm	Outside diameter
B	20 mm	Width
C_r	29.500 N	Basic dynamic load rating, radial
C_{0r}	31.000 N	Basic static load rating, radial
C_{ur}	5.500 N	Fatigue load limit, radial
n_G	17.200 1/min	Limiting speed
$n_{G \text{ Grease}}$	10.300 1/min	Limiting speed for grease lubrication
n_{gr}	8.800 1/min	Reference speed

Dimensions

r_{\min}	0,6 mm	Minimum chamfer dimension
F	24 mm	Raceway diameter inner ring
s	0,5 mm	Axial displacement