



NKIS30-XL

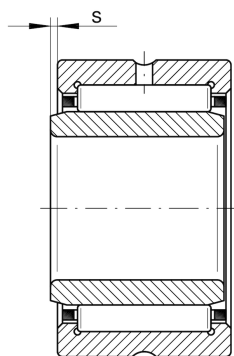
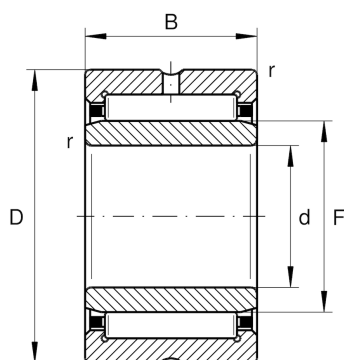
Radial roller bearing

Schaeffler ID:
0507709930000

Needle roller bearings NKIS, heavy series

X-life

Technical information



Temperature range

T_{\min}	-30 °C	Operating temperature min.
T_{\max}	120 °C	Operating temperature max.
	0,002 kg	Weight

Main Dimensions & Performance Data

d	30 mm	Bore diameter
D	52 mm	Outside diameter
B	22 mm	Width
C_r	41.500 N	Basic dynamic load rating, radial
C_{0r}	50.000 N	Basic static load rating, radial
C_{ur}	8.800 N	Fatigue load limit, radial
n_G	11.700 1/min	Limiting speed
$n_{G \text{ Grease}}$	7.000 1/min	Limiting speed for grease lubrication
n_{gr}	6.400 1/min	Reference speed

Dimensions

r_{\min}	0,6 mm	Minimum chamfer dimension
F	37 mm	Raceway diameter inner ring
s	1 mm	Axial displacement