

★ RNA4910-2RSR-XL

Radial roller bearing

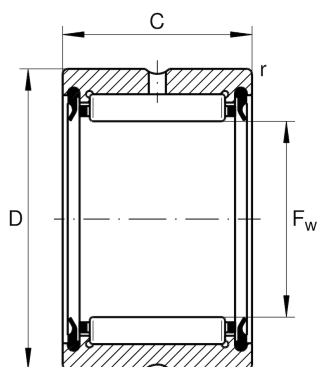
Schaeffler ID:
0507748830000

Needle roller bearings RNA49...-2RSR,
dimension series 49, lip seals on both
sides

★ Preferred product

X-life

Technical information



Temperature range

T_{\min}	-20 °C	Operating temperature min.
T_{\max}	100 °C	Operating temperature max.
	0,166 kg	Weight

Main Dimensions & Performance Data

F_w	58 mm	Under roller diameter
D	72 mm	Outside diameter
B	22 mm	Width
C_r	45.000 N	Basic dynamic load rating, radial
C_{0r}	64.000 N	Basic static load rating, radial
C_{ur}	10.800 N	Fatigue load limit, radial
n_G	4.600 1/min	Limiting speed
$n_{G \text{ Grease}}$	4.650 1/min	Limiting speed for grease lubrication

Dimensions

r_{\min}	0,6 mm	Minimum chamfer dimension
C	22 mm	Width, outer ring