

★ RNA4905-RSR-XL

Radial roller bearing

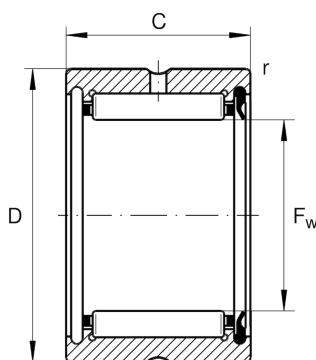
Schaeffler ID:
0507729700000

Needle roller bearings RNA49...-RSR,
dimension series 49, lip seal on one side

★ Preferred product

X-life

Technical information



Temperature range

T_{min}	-20 °C	Operating temperature min.
T_{max}	100 °C	Operating temperature max.
	62,2 g	Weight

Main Dimensions & Performance Data

F_w	30 mm	Under roller diameter
D	42 mm	Outside diameter
C_r	21.800 N	Basic dynamic load rating, radial
C_{0r}	24.200 N	Basic static load rating, radial
C_{ur}	4.650 N	Fatigue load limit, radial
n_G	8.600 1/min	Limiting speed
$n_{G \text{ Grease}}$	8.600 1/min	Limiting speed for grease lubrication

Dimensions

r_{min}	0,3 mm	Minimum chamfer dimension
C	17 mm	Width, outer ring