

★ NKX12-XL

Needle roller/axial ball bearing

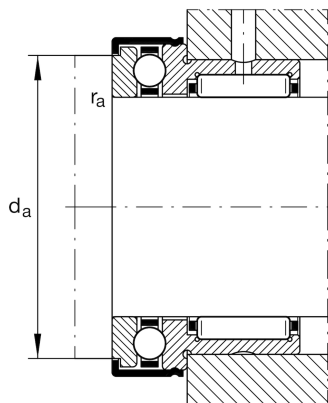
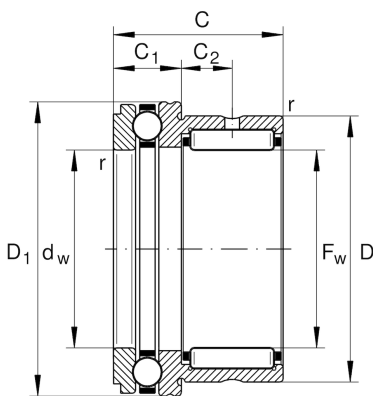
Schaeffler ID:
0506045030000

Needle roller/axial ball bearings NKX, axial component, single direction, to DIN 5429, without end cap, for oil lubrication

★ Preferred product

X-life

Technical information



Temperature range

T_{min}	-30 °C	Operating temperature min.
T_{max}	120 °C	Operating temperature max.
	39,54 g	Weight

Main Dimensions & Performance Data

F_w	12 mm	Bore diameter
D	21 mm	Outside diameter
C	23 mm	Height
C_r	10.100 N	Basic dynamic load rating, radial
C_{0r}	11.000 N	Basic static load rating, radial
C_a	10.300 N	Basic dynamic load rating, axial
C_{0a}	15.400 N	Basic static load rating, axial
C_{ur}	1.950 N	Fatigue load limit, radial
C_{ua}	760 N	Fatigue load limit, axial
n_G	11.000 1/min	Limiting speed

Dimensions

D_{1max}	26,1 mm	Maximum outside diameter flange
D_{2max}	26,1 mm	Maximum outside diameter flange
C_1	9 mm	Width of the axial bearing component
C_1	6,5 mm	Distance to lubrication hole
C_2	6,5 mm	Distance to lubrication hole
d_w	12 mm	Bore diameter of shaft washer
r_{min}	0,3 mm	Minimum chamfer dimension

Mounting dimensions

d_a	21,7 mm	Mounting dimension shaft shoulder
$r_{a max}$	0,3 mm	Maximum recess radius

Additional information

IR9X12X16-XL

Suitable inner rings IR