

★ NKX15-XL

Needle roller/axial ball bearing

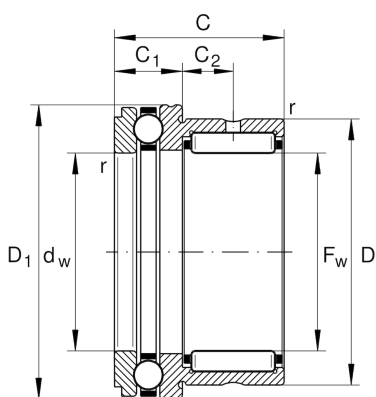
Schaeffler ID:
0506045110000

★ Preferred product

Needle roller/axial ball bearings NKX, axial component, single direction, to DIN 5429, without end cap, for oil lubrication

X-life

Technical information



Temperature range

T_{min}	-30 °C	Operating temperature min.
T_{max}	120 °C	Operating temperature max.
	42,29 g	Weight

Main Dimensions & Performance Data

F_w	15 mm	Bore diameter
D	24 mm	Outside diameter
C	23 mm	Height
C_r	12.100 N	Basic dynamic load rating, radial
C_{0r}	12.700 N	Basic static load rating, radial
C_a	10.500 N	Basic dynamic load rating, axial
C_{0a}	16.800 N	Basic static load rating, axial
C_{ur}	2.360 N	Fatigue load limit, radial
C_{ua}	830 N	Fatigue load limit, axial
n_G	9.500 1/min	Limiting speed

Dimensions

D_{1max}	28,1 mm	Maximum outside diameter flange
D_{2max}	28,1 mm	Maximum outside diameter flange
C_1	9 mm	Width of the axial bearing component
C_1	6,5 mm	Distance to lubrication hole
C_2	6,5 mm	Distance to lubrication hole
d_w	15 mm	Bore diameter of shaft washer
r_{min}	0,3 mm	Minimum chamfer dimension

Mounting dimensions

d_a	23,7 mm	Mounting dimension shaft shoulder
$r_{a max}$	0,3 mm	Maximum recess radius

Additional information

IR12X15X16-XL

Suitable inner rings IR