

★ NKX25-XL

Needle roller/axial ball bearing

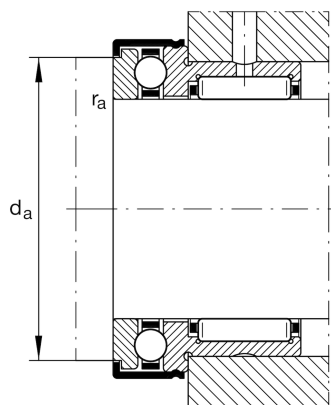
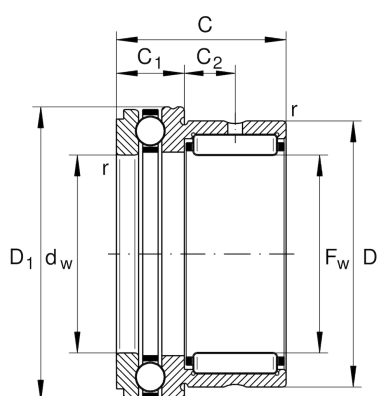
Schaeffler ID:
0506047910000

Needle roller/axial ball bearings NKX, axial component, single direction, to DIN 5429, without end cap, for oil lubrication

★ Preferred product

X-life

Technical information



Temperature range

T_{min}	-30 °C	Operating temperature min.
T_{max}	120 °C	Operating temperature max.
	0,001 kg	Weight

Main Dimensions & Performance Data

F_w	25 mm	Bore diameter
D	37 mm	Outside diameter
C	30 mm	Height
C_r	21.300 N	Basic dynamic load rating, radial
C_{0r}	30.500 N	Basic static load rating, radial
C_a	19.600 N	Basic dynamic load rating, axial
C_{0a}	37.500 N	Basic static load rating, axial
C_{ur}	5.400 N	Fatigue load limit, radial
C_{ua}	1.840 N	Fatigue load limit, axial
n_G	6.000 1/min	Limiting speed

Dimensions

D_{1max}	42,1 mm	Maximum outside diameter flange
D_{2max}	42,1 mm	Maximum outside diameter flange
C_1	11 mm	Width of the axial bearing component
C_1	9,5 mm	Distance to lubrication hole
C_2	9,5 mm	Distance to lubrication hole
d_w	25 mm	Bore diameter of shaft washer
r_{min}	0,6 mm	Minimum chamfer dimension

Mounting dimensions

d_a	37,7 mm	Mounting dimension shaft shoulder
$r_{a max}$	0,6 mm	Maximum recess radius

Additional information

IR20X25X20-XL

Suitable inner rings IR