

★ NKX17-Z-XL

Needle roller/axial ball bearing

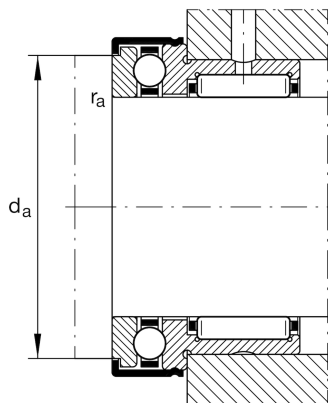
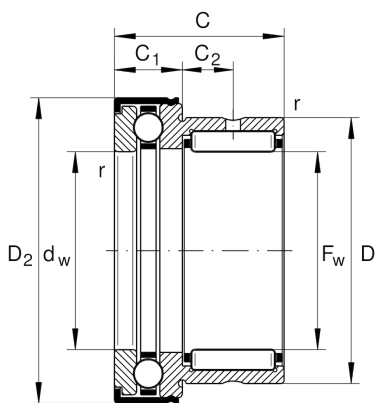
Schaeffler ID:
0507131670000

Needle roller/axial ball bearings NKX...-Z, axial component, single direction, to DIN 5429, with end cap, for grease lubrication

★ Preferred product

X-life

Technical information



Temperature range

T_{min}	-30 °C	Operating temperature min.
T_{max}	120 °C	Operating temperature max.
	54,66 g	Weight

Main Dimensions & Performance Data

F_w	17 mm	Bore diameter
D	26 mm	Outside diameter
C	25 mm	Height
C_r	13.500 N	Basic dynamic load rating, radial
C_{0r}	15.000 N	Basic static load rating, radial
C_a	10.800 N	Basic dynamic load rating, axial
C_{0a}	18.200 N	Basic static load rating, axial
C_{ur}	2.800 N	Fatigue load limit, radial
C_{ua}	900 N	Fatigue load limit, axial
n_G	8.500 1/min	Limiting speed

Dimensions

D_{1max}	31,2 mm	Maximum outside diameter flange
D_{2max}	31,2 mm	Maximum outside diameter flange
C_1	9 mm	Width of the axial bearing component
C_1	8 mm	Distance to lubrication hole
C_2	8 mm	Distance to lubrication hole
d_w	17 mm	Bore diameter of shaft washer
r_{min}	0,3 mm	Minimum chamfer dimension

Mounting dimensions

d_a	25,7 mm	Mounting dimension shaft shoulder
$r_{a max}$	0,3 mm	Maximum recess radius

Additional information

IR14X17X17-XL

Suitable inner rings IR