

## ★ NKX25-Z-XL

Needle roller/axial ball bearing

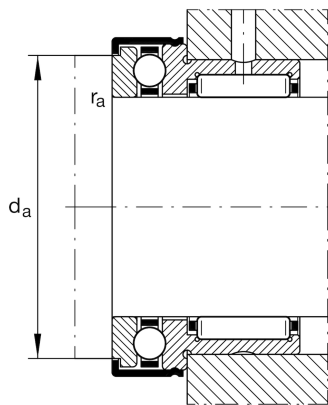
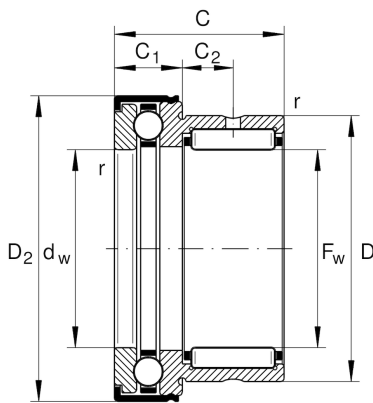
Schaeffler ID:  
0507475840000

Needle roller/axial ball bearings NKX...-Z, axial component, single direction, to DIN 5429, with end cap, for grease lubrication

★ Preferred product

X-life

### Technical information



#### Temperature range

$T_{min}$	-30 °C	Operating temperature min.
$T_{max}$	120 °C	Operating temperature max.
	0,001 kg	Weight

#### Main Dimensions & Performance Data

$F_w$	25 mm	Bore diameter
$D$	37 mm	Outside diameter
$C$	30 mm	Height
$C_r$	21.300 N	Basic dynamic load rating, radial
$C_{0r}$	30.500 N	Basic static load rating, radial
$C_a$	19.600 N	Basic dynamic load rating, axial
$C_{0a}$	37.500 N	Basic static load rating, axial
$C_{ur}$	5.400 N	Fatigue load limit, radial
$C_{ua}$	1.840 N	Fatigue load limit, axial
$n_G$	6.000 1/min	Limiting speed

#### Dimensions

$D_{1max}$	43,2 mm	Maximum outside diameter flange
$D_{2max}$	43,2 mm	Maximum outside diameter flange
$C_1$	11 mm	Width of the axial bearing component
$C_1$	9,5 mm	Distance to lubrication hole
$C_2$	9,5 mm	Distance to lubrication hole
$d_w$	25 mm	Bore diameter of shaft washer
$r_{min}$	0,6 mm	Minimum chamfer dimension

#### Mounting dimensions

$d_a$	37,7 mm	Mounting dimension shaft shoulder
$r_{a max}$	0,6 mm	Maximum recess radius

**Additional information**

---

IR20X25X20-XL

Suitable inner rings IR