

★ NKX50-Z-XL

Needle roller/axial ball bearing

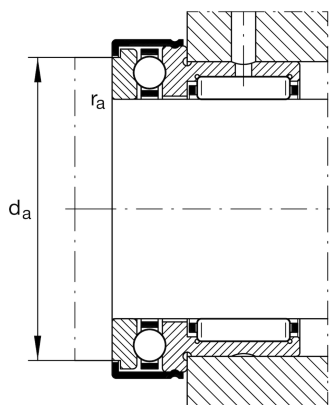
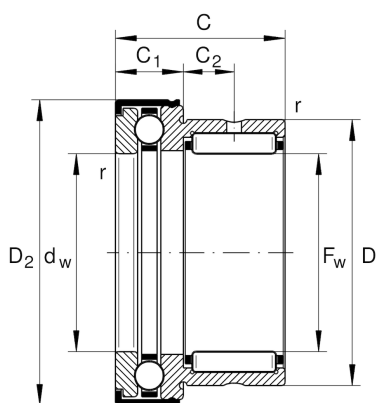
Schaeffler ID:
0507476300000

Needle roller/axial ball bearings NKX...-Z, axial component, single direction, to DIN 5429, with end cap, for grease lubrication

★ Preferred product

X-life

Technical information



Temperature range

T_{min}	-30 °C	Operating temperature min.
T_{max}	120 °C	Operating temperature max.
	0,003 kg	Weight

Main Dimensions & Performance Data

F_w	50 mm	Bore diameter
D	62 mm	Outside diameter
C	35 mm	Height
C_r	43.000 N	Basic dynamic load rating, radial
C_{0r}	74.000 N	Basic static load rating, radial
C_a	29.000 N	Basic dynamic load rating, axial
C_{0a}	75.000 N	Basic static load rating, axial
C_{ur}	12.900 N	Fatigue load limit, radial
C_{ua}	3.750 N	Fatigue load limit, axial
n_G	3.300 1/min	Limiting speed

Dimensions

D_{1max}	71,5 mm	Maximum outside diameter flange
D_{2max}	71,5 mm	Maximum outside diameter flange
C_1	14 mm	Width of the axial bearing component
C_1	10 mm	Distance to lubrication hole
C_2	10 mm	Distance to lubrication hole
d_w	50 mm	Bore diameter of shaft washer
r_{min}	0,6 mm	Minimum chamfer dimension

Mounting dimensions

d_a	65,5 mm	Mounting dimension shaft shoulder
$r_{a max}$	0,6 mm	Maximum recess radius

Additional information

IR45X50X25-XL

Suitable inner rings IR